

# PP525

Glued  
Finished Size 304mm x 215mm - Flap 65 / 92mm  
Flat Size 631mm x 429mm (incl. tab)  
Non-capacity (holds up to 10 standard 80gsm sheets)  
Suitable to hold stitched inner pages, for when a brochure needs a flap.

## Guidelines

Thank you for downloading your **Printplus** template.  
This template will help you to set up your artwork correctly for your chosen product.

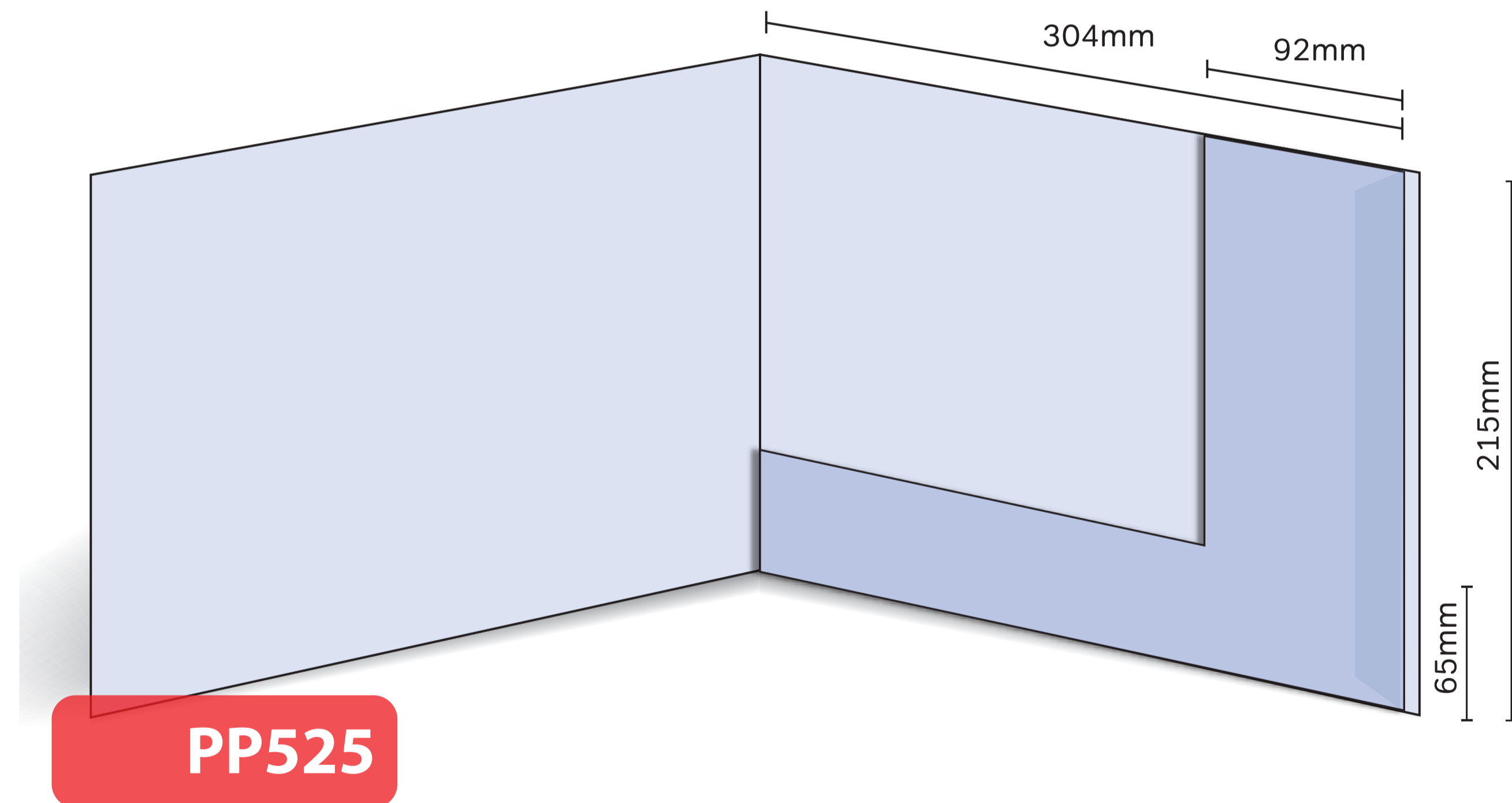
This document can be opened and edited in Adobe Illustrator CS4 and above. Alternatively, these templates can be placed into Adobe InDesign or Quark XPress documents.

This document is set up to the exact flat size of your chosen folder and contains templates for both the inner and outer. Pink lines show cuts, green lines will be scored and folded. Please do not alter the document size or the colour and position of the lines in this template.

Please provide a minimum of 3mm bleed beyond the outline of the folder on all outer edges.

When creating your artwork, we also recommend a 'quiet area' where no text is placed closer than 8mm to the inside edges and spines of the folder template. This ensures that no text is at risk of being lost when your folders are trimmed.

For further information and instructions please refer to our artwork guidelines at: [www.printplusgroup.com/supplying-artwork.html](http://www.printplusgroup.com/supplying-artwork.html)



**Outer**

**Inner**